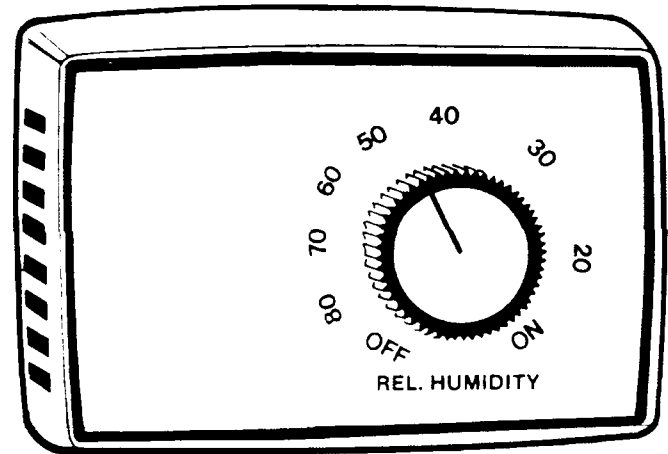


## J10-0809 Dehumidistat Wall Mounting



### APPLICATION

The J10-0809 is used to cycle an air conditioning system in an unoccupied home to help prevent mildew build-up associated with high humidity levels.

The J10-0809 is designed to be wall-mounted and can be wired in parallel or in series with any 24V thermostat.

### PARALLEL INSTALLATION

#### ADVANTAGES:

Desired humidity is always maintained regardless of ambient temperature.

#### DISADVANTAGES:

The air conditioning system could cycle on during low ambient temperatures.

**NOTE:** DO NOT USE parallel wiring if low temperature compressor protection is not present.

### SERIES INSTALLATION

#### ADVANTAGES:

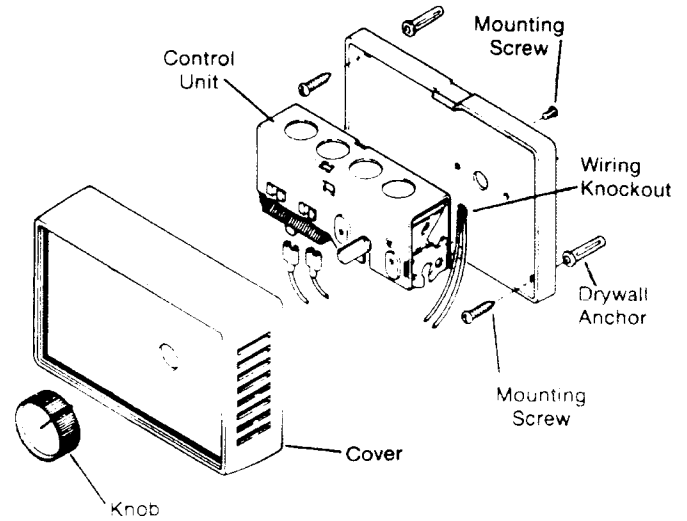
Air conditioning system will not cycle on during low ambient temperature periods.

#### DISADVANTAGES:

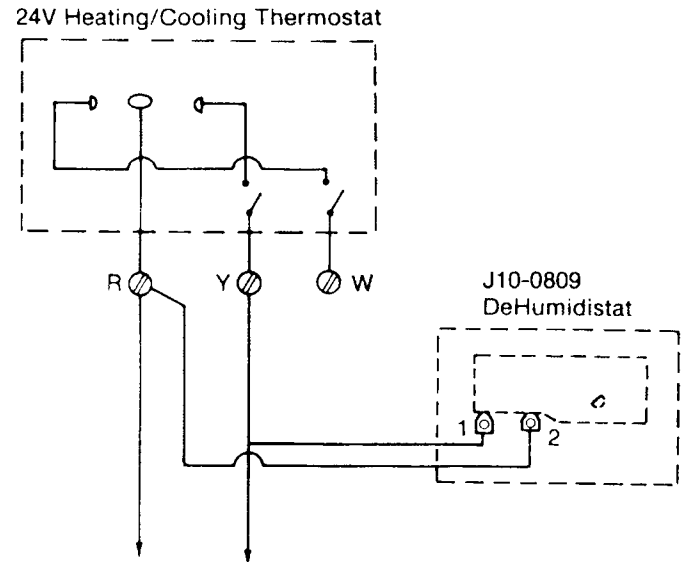
Humidity levels may be higher than desired during low temperature periods.

# INSTALLATION INSTRUCTIONS

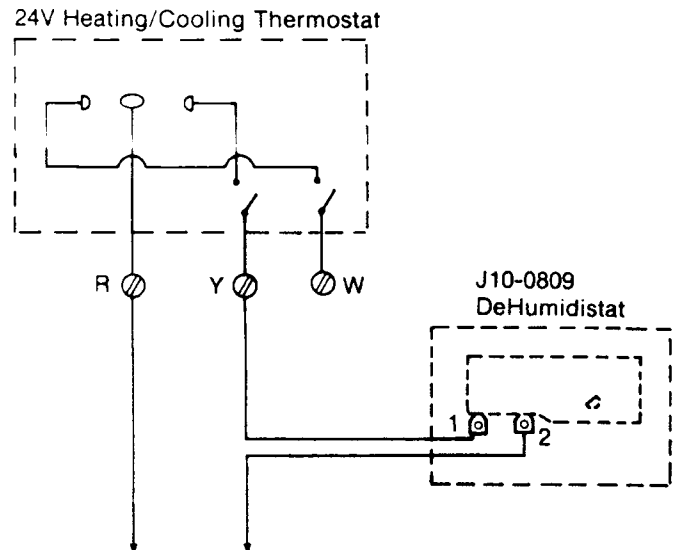
1. Disconnect electrical power.
2. Determine dehumidistat location. This control should be mounted on an inside wall where normal air circulation. For most residential applications, locate the control adjacent to the existing wall thermostat for easy installation and wiring.
3. Remove cover from back plate and punch wiring knockout on back plate.
4. Place back plate on flat mounting surface and mark 2 mounting hole locations, and wire knockout hole.
5. Drill 3/16" diameter holes for drywall anchors (if needed) and insert drywall anchors.
6. Drill 1/2" diameter hole for low voltage wires and pull wiring through access hole and through the back plate.
7. Mount back plate securely to wall with screws provided in the parts package.  
**NOTE:** Make sure the back plate is flat without any undue stress.
8. Connect wires to Terminals #1 and #2. Wires should not be taut after connection.  
**NOTE:** All wiring should conform to NEC recommendations and any local codes.
9. Re-install front cover.
10. Turn electrical power back on.



## WIRING DIAGRAMS Parallel Installation



## Series Installation



## OPERATIONAL TEST

### Parallel Installation

Turn the dehumidistat down until air conditioner turns on. Cycle at least 3 times to assure proper system function. Return control knob pointer to desired humidity setting.

## OPERATIONAL TEST

### Series Installation

Turn the thermostat to the highest temperature setting. Turn dehumidifier control from lowest to highest setting. The air conditioning system should not start up. (If it does, wiring is incorrect.) Next, turn dehumidifier control to highest setting. Turn the thermostat from high to low temperature setting. Again, the system should not start up. Now, set thermostat on lowest temperature setting and dehumidifier control to lowest setting. System should now operate.

**NOTE:** The use of a sling psychrometer is recommended to determine relative humidity level.